



# FF-4000 Series Float and Thermostatic Steam Trap with freely floating ball

## All Stainless Steel

For Pressures to 250 psig (17 bar)... Capacities to 1,050 lb/hr (476 kg/hr)

Steam Trapping and Steam Tracing Equipment

### Description

With the FF-4000 Series' 360° universal connector, you can install the float and thermostatic trap to fit any piping configuration. You get the reliability of the freely floating ball and thermostatic design plus all the benefits of all-stainless steel construction.

- A sealed, tamperproof package
- A compact, lightweight trap
- Exceptional corrosion resistance
- A three-year guarantee against defective materials and workmanship

FF-4000 Series Float and Thermostatic steam traps combine savings in three important areas: energy, installation and replacement. Mounting the FF-4000 on universal connectors provide quick and easy in-line replacement.

### Maximum Operating Conditions

Maximum allowable pressure (vessel design):  
 Model FF-4250 300 psig @ 650°F (20.7 bar @ 343°C)  
 Model FF-4450 600 psig @ 800°F (41.4 bar @ 427°C)

Maximum operating pressure:  
 Model FF-4250 250 psig @ 650°F (17 bar @ 343°C)  
 Model FF-4450 450 psig @ 800°F (31 bar @ 427°C)

### Materials

Body: ASTM A240 Grade 304L  
 Internals: All stainless steel-304  
 Ball seat: Stainless Steel  
 Float: Stainless Steel  
 Air Vent: Bimetal

### 360° Universal Connector Styles

- Standard 2-bolt connector
- IS-2 connector with integral strainer and optional blowdown valve
- Trap Valve Station

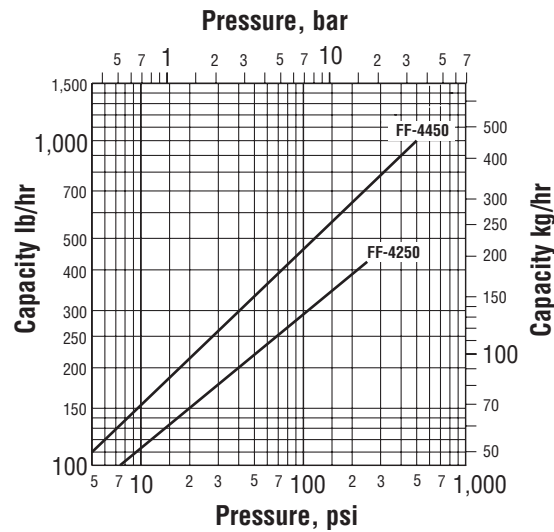
### How to order

- Specify model number
- Size and type of pipe connection, style of 360° universal connector.

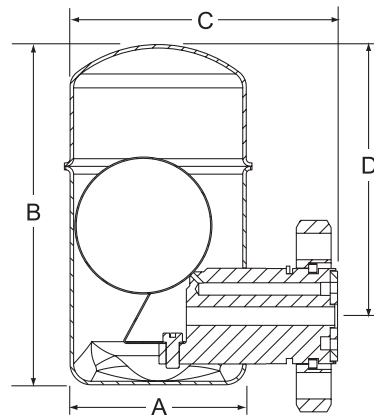


FF-4250 with TVS-4000

### FF-4000 Series Capacities



FF-4000 Series				
Model No.	FF-4250		FF-4450	
Pipe Connection	1/2, 3/4	15, 20	1/2, 3/4	15, 20
	in	mm	in	mm
"A" Diameter	2-11/16	68	3-7/8	98
"B" Height	4-7/8	124	6-3/16	157
"C" Outside to Flange"D"	3-7/8	98	4-15/16	125
"D" C Flange to Top	4	102	4-15/16	125
Trap Only Weight, lb (kg)	2 (0.9)		4 (1.8)	



Designs, materials, weights and performance ratings are approximate and subject to change without notice. Visit [armstronginternational.com](http://armstronginternational.com) for up-to-date information.