

Horizontal Flash Tanks (HAFT)

Features

- ASME coded and stamped vessels
- Standard pressure rating 150 psig (other pressure ratings available upon request)
- Standard models are designed and sized to cover a wide range of applications and loads
- Flash vessels are designed to provide low velocity flash steam with no water carryover
- Quick payback for flash recovery investment
- Special tanks available upon request
- HAFT-Series horizontal flash tanks for low flash load applications.

For a fully detailed certified drawing, refer to CDF #1038.

Flash Steam Savings Analysis

Part I: Determining the amount of flash steam produced

- A. Condensate Load $A = \text{_____ lb/hr.}$
- B. Annual hours of operation $B = \text{_____ hrs/yr.}$
- C. Steam Cost $C = \text{_____ } \$/1\ 000 \text{ lbs.}$
- D. Flash steam percentage from chart $D = \text{_____ } \%$
(on page 264)
- E. Flash steam produced:
 $D \times A = \text{flash steam produced}$ $E = \text{_____ lb/hr.}$

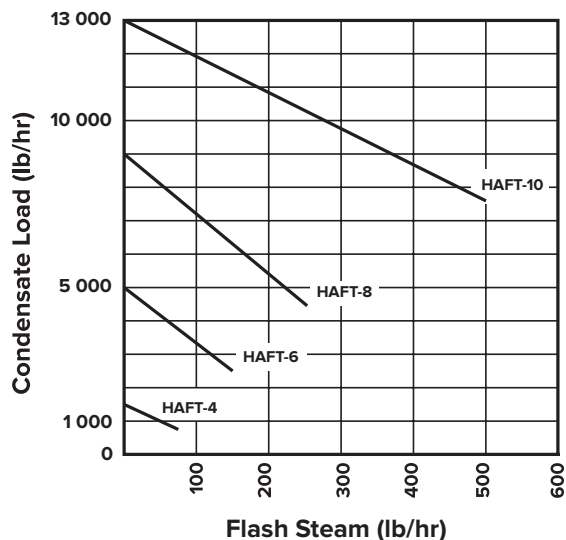
Part II: Determining dollar value of the flash steam

- F. Annual flash steam savings:
$$F = \frac{E \times B \times C}{1\ 000} \quad F = \text{_____ } \$/\text{yr.}$$

NOTES

1. Models are ASME SEC. VIII "U" stamped for 150 psig
2. All connections are FNPT.

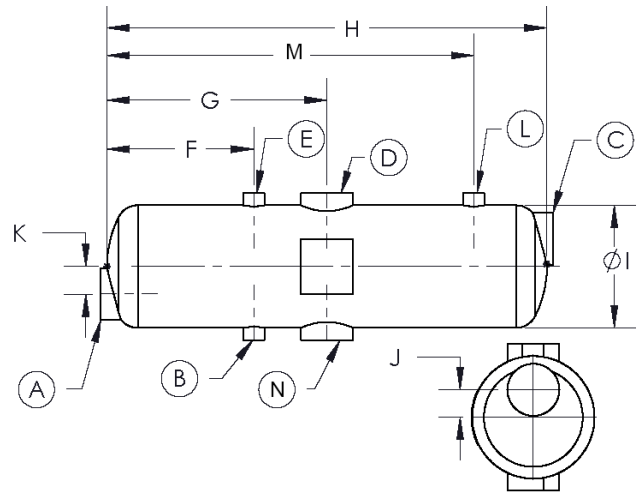
HAFT Series Sizing



Physical Data — Standard Design Model (HAFT)

Model No.	HAFT-10		HAFT-8		HAFT-6		HAFT-4	
	in	mm	in	mm	in	mm	in	mm
A	3	76	2	50	1-1/2	38	1-1/2	38
B	1	25	1	25	1	25	1	25
C	3	76	2	50	1-1/2	38	1-1/2	38
D	3	76	2-1/2	64	2	50	1-1/2	38
E	1	25	1	25	1	25	1	25
F	12	305	12	305	12	305	8	203
G	18	457	18	457	18	457	12	305
H	36	914	36	914	36	914	24	610
I	10	254	8	203	6	152	4	102
J	2-1/4	57	1-3/4	44	1-1/4	32	1	25
K	2-1/4	57	1-3/4	44	1-1/4	32	1	25
L	1	25	1	25	1	25	1	25
M	30	762	30	762	30	762	18	457
N	3	76	2	50	2	50	1-1/2	38

Note: All flash tanks are ASME coded for 150 psig (10 barg). Special sizes and connections available upon request.



Capacities — Standard Design Model (HAFT)

Model No.	Maximum Condensate Load	
	lb/hr	kg/hr
HAFT-10	13 000	5 897
HAFT-8	9 000	4 082
HAFT-6	5 000	2 268
HAFT-4	1 500	680