



FT-40FSUV



Ultrasonic humidifier

FT-40FS(C1)UV

Ultrasonic humidifier for flat showcase available 0.5...2.0 L/h capacities.

Supplies fine mist to showcase, keeping freshness of products.

Fine mist has effect of impressing freshness of stored foods, and stimulates customer's desire to purchase.

Comes equipped with germicidal device by UV lamp to enhance the hygiene humidification.

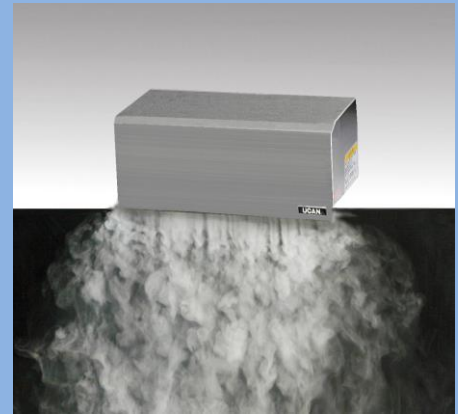
Rich moisture
has
Rich benefits.



UCAN®

FEATURES

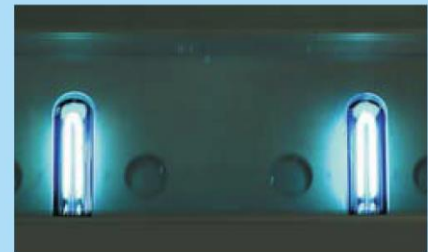
- Unit is installed on the top board of flat type showcase.
- SC1 type has a remote controller that can adjust the amount of mist as required.
- The exterior of unit is made of stainless steel by applying hairline finish which has massiveness and fits the atmosphere of the showcase.
- From installment to daily maintenance, it can be easily done since the unit is installed at the top of the showcase without making holes.
- The mist prevents fresh products from drying and makes stored foods fresh, contributing to increase the sales.



UCAN Technology - Power of UV lamp

Sterilizes the water without harming the human body.

The germicidal ray kills various kinds of bacteria and viruses by directly affecting DNA and RNA and sterilizes the water in the reservoir. Since no chemical substance is used in sterilization, the mist has no effect on the human body.

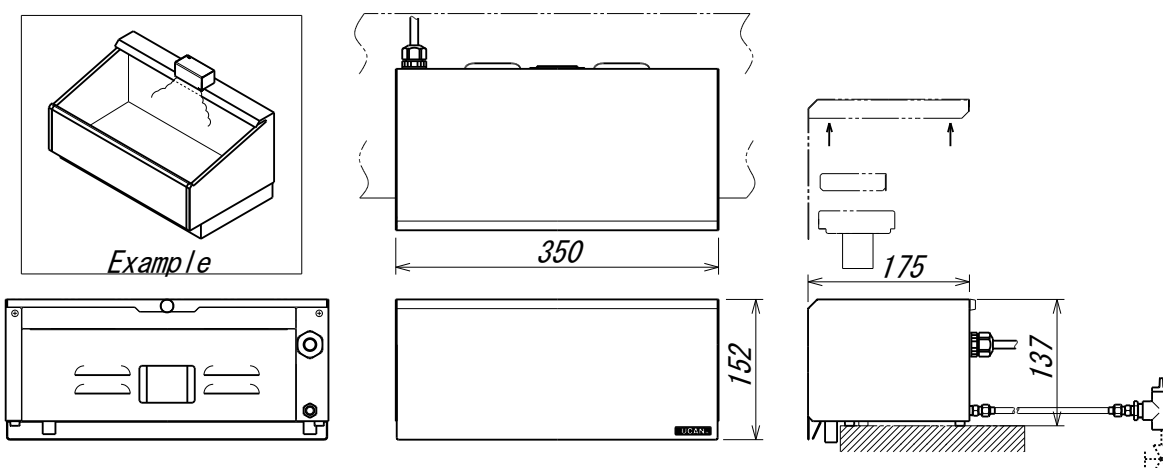


SPECIFICATIONS

Model	FT-40FS(C1)UV
Capacity(L/h)	2.0 (SC1 type : 0.5...2.0)
Power supply	1φ2W AC230V *
Power consumption(VA)	153
No. of oscillators(pcs)	4
Air volume(m ³ /min)	0.17
Operating weight(kg)	6.0

*Other power supply types are available on request.

STANDARD DIMENSIONS (mm)



Innovative Humidifier

UCAN® UCAN CO., LTD.

5-6-19, SANDA-MACHI, HACHIOJI-SHI, TOKYO-TO 193-0832, JAPAN

URL <http://www.ucan.co.jp/eng/>

E-mail ucan-information@ucan.co.jp

TEL +81-42-665-8846 FAX +81-42-661-3887

Specifications are subject to change without notice.

All UCAN trademarks and trade names are the property of UCAN CO.,LTD.

All other trademarks and trade names are the property of their respective companies.



REGISTERED ORGANIZATION
No.1524-ISO9001
No E2094-ISO14001



UCAN humidifier - made in JAPAN