



Ultrasonic humidifier

Green Mister

FT-420S(SC1) UVSV

FT-520S(SC1) UVSV

For open showcase available in 0.5...2.5 l/h humidity outputs. Supplies ample mist to every corner of the showcase and enhances the products freshness which reduces distress goods. Comes equipped with germicidal device by UV lamps and a drainage solenoid valve to enhance the hygiene humidification.

Rich moisture has Rich benefits.

UCAN®

Applications

For placing on the top of 6ft and 8ft (1.8m to 2.4m) wide open showcase.

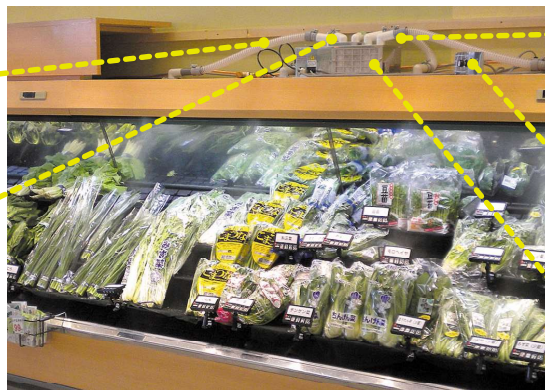
FT-420S(SC1) UVSV...6ft (1.8m) wide case

FT-520S(SC1) UVSV...8ft (2.4m) wide case

Features

Nozzles connect to the showcase duct.

Bypass keeps the cold and humid air in the showcase from effecting the electrical part while the unit is not operating.



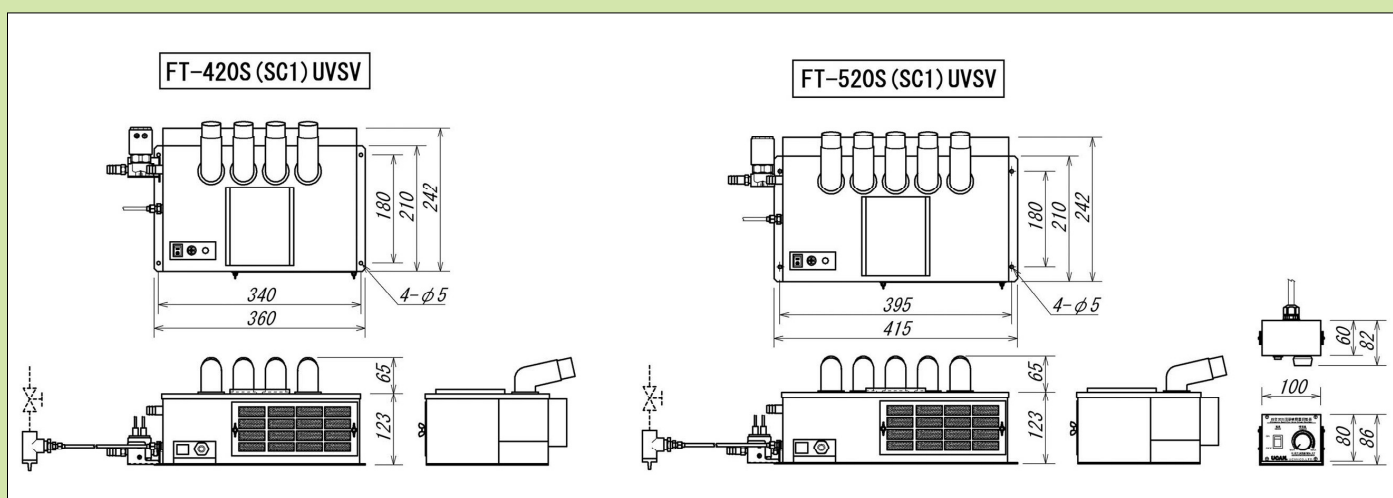
Duct hose connection ports can be turned around 360° to facilitate the installment.

SC types are equipped with a remote controller that makes to spray the mist at stepless level.

Air filter protects the unit from dust.

Standard Dimensions(mm)

Drawings for CE Compliance, please contact us.



Specifications

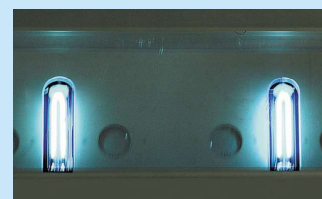
Model (Green Mister)	FT-420S UVSV	FT-420SC1 UVSV	FT-520S UVSV	FT-520SC1 UVSV
Humidity output (ℓ / h)	2.0	0.5...2.0	2.5	0.5...2.5
Power supply	1ϕ2W AC230V*			
Power consumption (VA)	179		219	
No. of oscillators (pcs)	4		5	
Air volume (m ³ / min)	0.6 / 0.65 (50 / 60Hz)			
Operating weight (kg)	8.0		9.0	
Water supply system	Automatic water supply system with float switch and water supply solenoid valve			
Water supply pressure	0.03...0.5MPa (0.3...5.0 kgf / cm ²)			
Control system	On / Off control			
Ambient condition	5...40°C (No Freezing) , Max.90%RH			
Replacement of oscillator	At about every 5,000 cumulative hours of operation			
Safety equipment	Device to prevent waterless operation, Fuse to prevent overcurrent, Thermostat to prevent water overheating (cutoff at 55°C) , Surge filter			

* Other power supply types can be available on request.

UCAN Technology - Power of UV lamp

Sterilizes the water without harming the human body.

The germicidal ray kills various kinds of bacteria and viruses by directly affecting DNA and RNA and sterilizes the water in the reservoir. Since no chemical substance is used in sterilization, the mist has no effect on the human body.



Your best humidifier of confidence

UCAN® UCAN CO., LTD.

5-6-19 SANDA-MACHI, HACHIOJI-SHI, TOKYO 193-0832, JAPAN

URL [http : //www.ucan.co.jp/eng/](http://www.ucan.co.jp/eng/)

E-mail : ucan-information@ucan.co.jp

TEL +81-42-665-8846 FAX +81-42-661-3887

Specifications are subject to change without notice.

All UCAN trademarks and trade names are the property of UCAN CO.,LTD.

All other trademarks and trade names are the property of their respective companies.



REGISTERED ORGANIZATION
No.1524-ISO9001
No E2094-ISO14001

UCAN humidifier - made in JAPAN