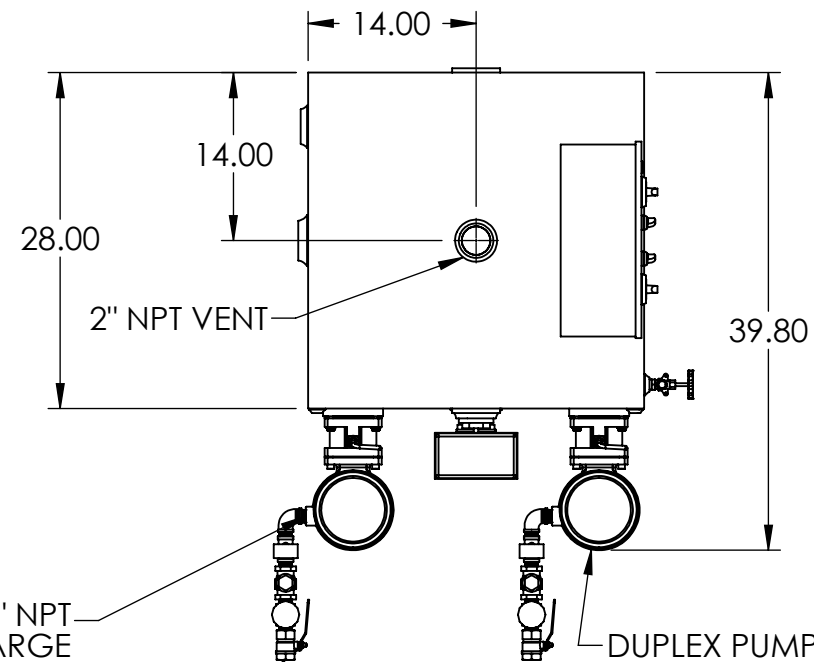


NOTES:

- TANK MATERIAL: STEEL
- ALL DIMENSIONS ARE ±0.25"
- DRAWING NOT FOR CONSTRUCTION
- CONSULT FACTORY AT TIME OF ORDER FOR CURRENT PRINT
- INLET BASKET STRAINER OR Y-STRAINER ALSO AVAILABLE

CONTROL PANEL OPTIONS ALSO AVAILABLE (NOT SHOWN):

- NEMA 4 OR NEMA 4X OR NEMA 3R CONSTRUCTION
- ELECTRIC ALTERNATOR
- POWER ON LIGHT
- PUMP TEST BUTTON
- PUMP RUN TIME METER
- EXTRA DRY CONTACTS
- UL/CUL LABELED PANEL
- HIGH LEVEL ALARM HORN & LIGHT W/SILENCE SWITCH
- LEAD-AUTO-LAG SELECTOR SWITCH



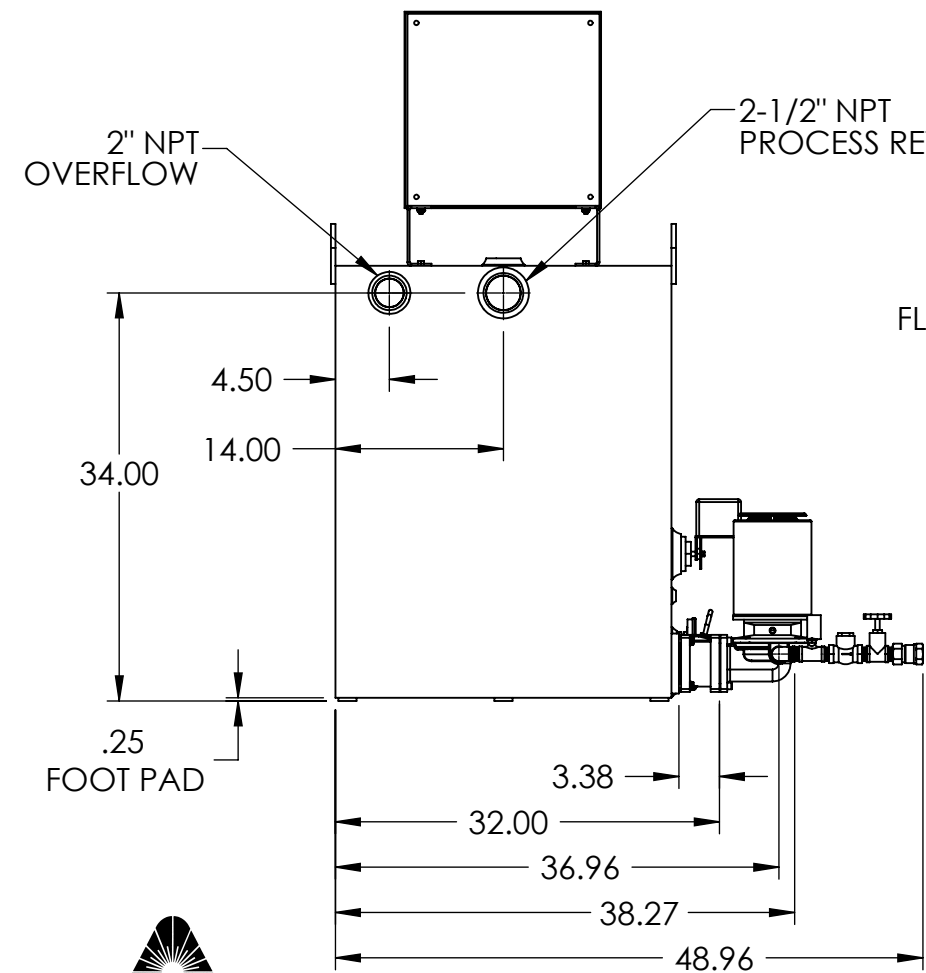
PRESSURE GAUGE, CHECK VALVE
GATE VALVE AND BALL VALVE
(OPTIONAL)

BLANK PLATE REPLACES
RH SIDE PUMP
ASSEMBLY ON SIMPLEX
UNITS

NEMA 12
CONTROL PANEL
(OPTIONAL)

GAUGE GLASS
(OPTIONAL)

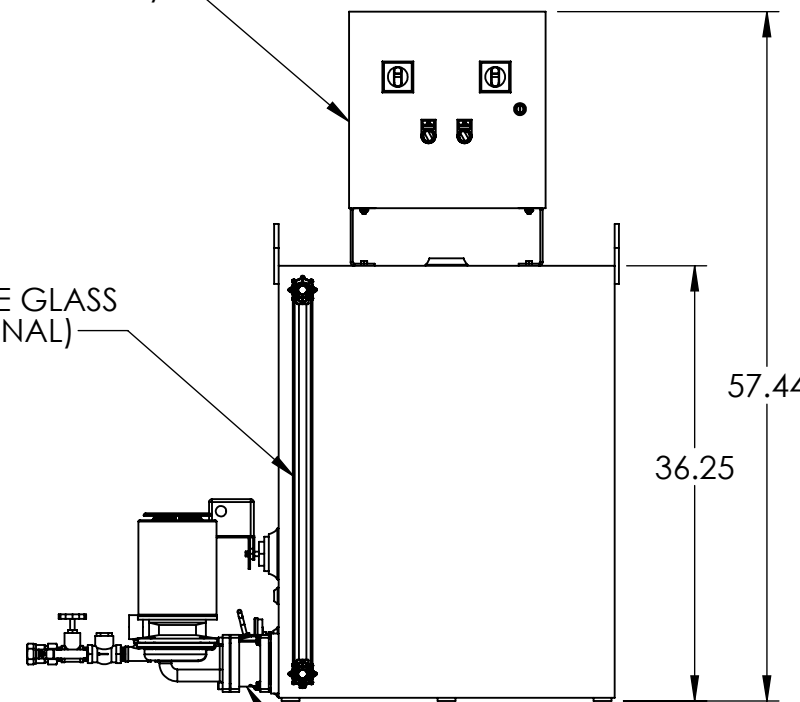
ISOLATION VALVE
(OPTIONAL)



FLOAT SWITCH OR
ALTERNATOR

THERMOMETER
(OPTIONAL)

1/2" NPT
DRAIN



LIFTING EYES
(OPTIONAL)

12.25

3.91

1.88

14.00

18.63

28.00

32.00

36.96

38.27

48.96

4.50

14.00

A

B

C

D

A

B

C

D



REV	DESCRIPTION	ECN	NAME	DATE
A	Initial Design		GJM	3/16/2018
PART NO: Ref PartNo		NAME	DATE	
DRAWN		GJM	3/16/2018	
CHECKED				
ENG APPR.				
TOLERANCES: ANGULAR DIMENSIONS ±1° FRACTIONS ±1/32		THIRD ANGLE PROJECTION		
TWO PLACE DECIMAL ±0.06 THREE PLACE DECIMAL ±0.030		TITLE		
		120 GALLON SIMPLEX/DUPLEX 4100 SERIES "G" CONDENSATE PUMP		
SHEET: 1 OF 1		WEIGHT	DRAWING MAY NOT BE PRINTED TO SCALE.	DWG NO.
		551.52	SCALE: 1:16	684.41120.00G
				REV
				A

8

7

6

5

4

3

2

1