

DIMENSIONS & DATA CERTIFIED FOR:

Representative:

Order:

Customer:

Order:

Project:

Requirements:

By:

Date:

LIST OF MATERIALS:

NAME OF PART	MATERIAL
CD-3300:	
CAP	ASTM A743 CA40
DISC	ASTM A420
BODY	ASTM A420
NAME PLATE	303 STN. STL.
RAIN GUARD (OPTIONAL)	304 STN. STL.
IS2 CONNECTOR:	
BLOCK, CONNECTOR	ASTM A351 GR. CF8 T304 SS
GASKET, CONNECTOR	T304 SS NON-ASBESTOS
RETAINING RING	CARBON STEEL
FLANGE	ASTM A105 CARBON STEEL, NICKEL PLATED
RETAINER, FLANGE	ASTM A276 T304 SS
SCREEN	ASTM A167 T304 SS, 20x20 MESH
RETAINER, SCREEN	ASTM A479 T304 SS
GASKET, RETAINER	ASTM A167 T316 SS
BOLTS	ASTM A193, GR. B7, ZINC PLATED
PIPE PLUG	STN. STL.

TECHNICAL INFORMATION

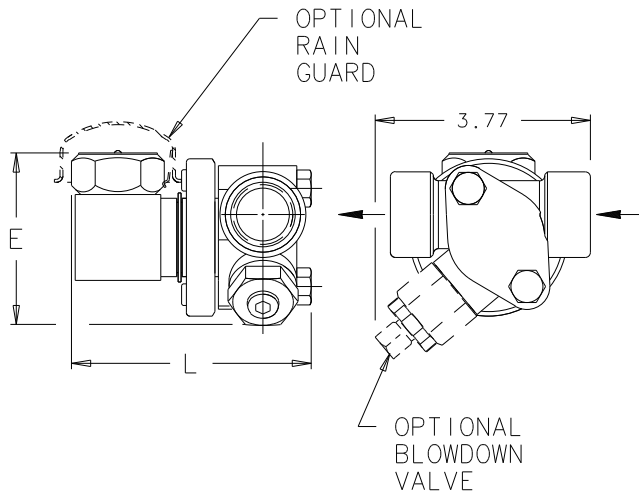
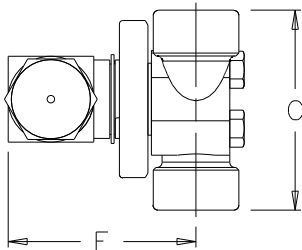
MODEL NO.	CD-3300	
CONNECTIONS	1/2[DN15]	1"[DN25]
	3/4[DN20]	
"C" (FACE-TO-FACE)	3-1/2[89]	4 [102]
"L" (OVERALL LENGTH)	4-3/16[106]	
"E" (OVERALL HEIGHT)	3[76]	3-1/2[89]
"F" (Ø TO BODY END)	3-3/8[86]	
BLOWDOWN CONN. (NPT)	1/4[DN8]	
WEIGHT lbs[kgs]±1/4[.11]	3.9[1.8]	4.2[2]

OPTIONS:

CONNECTIONS - NPT, BSPT OR SW		
LEFT-TO-RIGHT FLOW		
RIGHT-TO-LEFT FLOW		
BLOWDOWN VALVE		
RAIN GUARD		

DESIGN INFORMATION

MAX. OPERATING PRESSURE	450 psi[31 bar] at 750°F[400°C]
MAXIMUM ALLOWABLE PRESSURE (VESSEL DESIGN)	720 psi[50 bar] at 750°F[400°C]



Dimensions Are In Inches[mm]


Armstrong International, Inc.
 Three Rivers Division
 Three Rivers, MI 49093
 (269) 273-1415 Fax(269) 278-6555
 Posted on Armstrong's homepage www.armstronginternational.com

Product	CD No.	Date
TRAP CD-3300 W/ IS2 CONNECTOR	1164	11/30/00
Rev; C		By; Paul G.